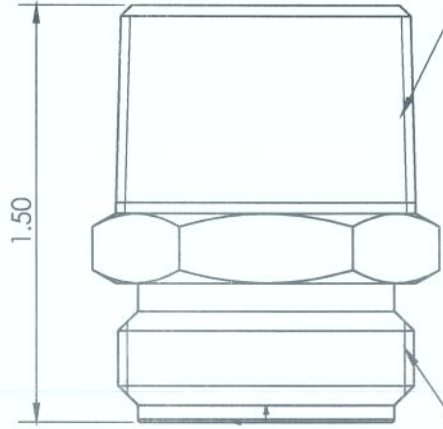
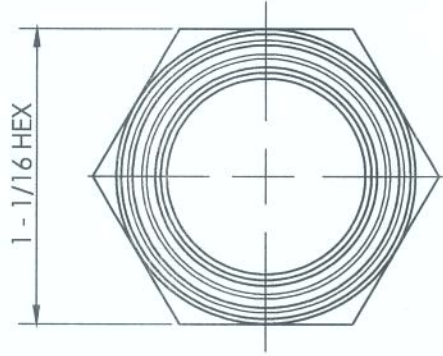
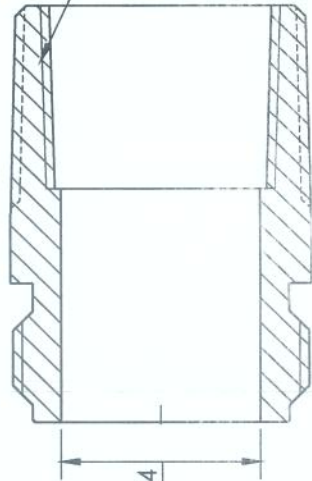


LINE DRAWING NOT FOR PRODUCTION PURPOSES



3/4 - 11 - 1/2 N.H.



MATERIAL 1 - 1/16 HEX ALLOY 360 BRASS

This drawing is owned by Dixon Valve & Coupling Co. and shall be returned upon demand. It is loaned on condition that it shall not be copied or reproduced or submitted to others without the owner's consent. In accepting it, subject to this condition, the recipient further agrees that this drawing or any design detail or concept disclosed herein shall not be used in any way detrimental to or in competition with the owner. If the recipient desires to use any part of this drawing immediately, the information contained in this drawing is subject to change without notice.

 Dixon Westmont, Illinois USA	DATE	10/27/17
	APPROVED	HENRY B.
	ECO NO.	

DO NOT SCALE THIS DRAWING		
SIZE	DWG. NO.	REV
A	5141212C	A

TITLE: 3/4 N.H. X 3/4-14 NPTF
X 1/2-14 NPTF