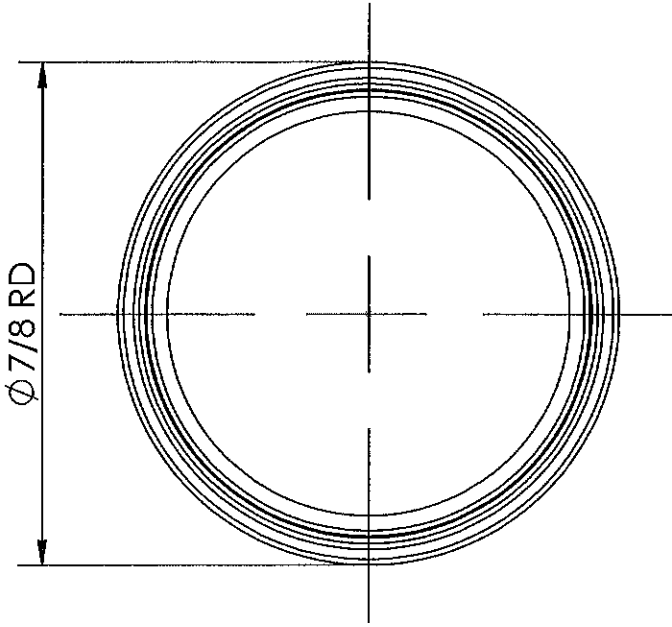
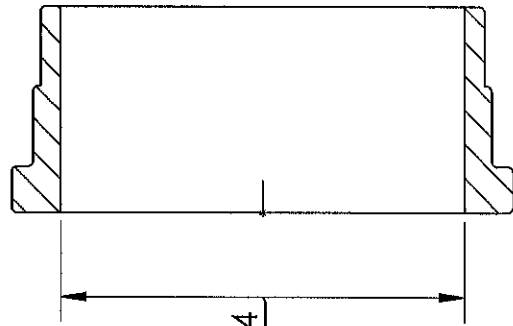
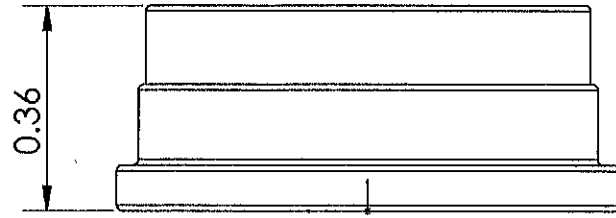


LINE DRAWING NOT FOR PRODUCTION PURPOSES



MATERIAL 7/8 RD ALLOY 360 BRASS

This drawing is owned by Dixon Valves, Coupling Co. and shall be returned upon demand. It is loaned on condition that it shall not be copied or reproduced or submitted to others without the owners consent. In accepting it, subject to this condition, the recipient further agrees that this drawing or any design detail or concept disclosed herein shall not be used in any way detrimental to or in competition with the owner. If the recipient does not agree to the terms of this agreement they shall return this drawing immediately. The information contained in this drawing is subject to change without notice.

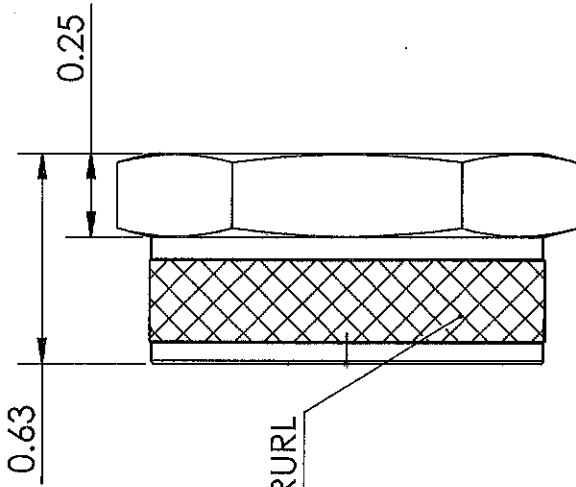


**Dixon Brass**  
Westmont, Illinois USA

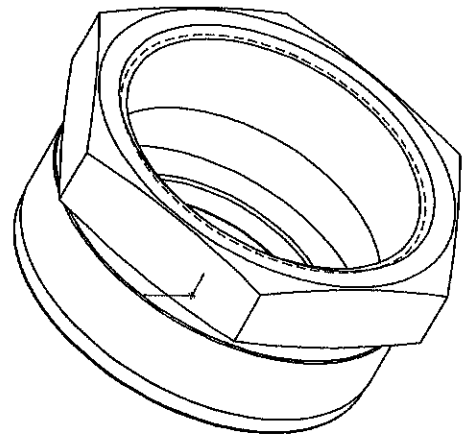
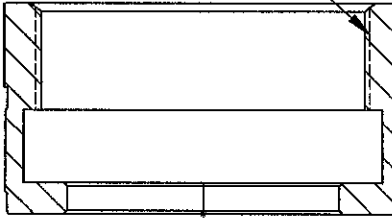
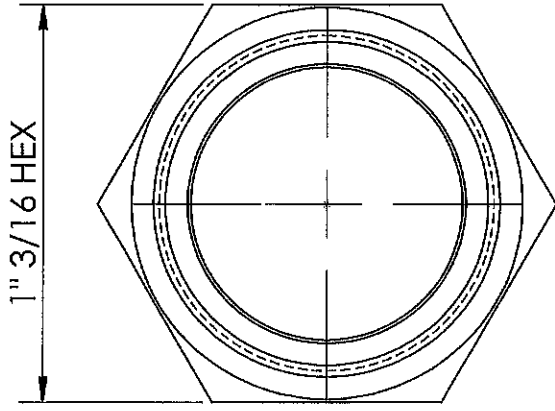
DRAWN	DATE
P. MONAGHAN	4/11/18
APPROVED	DATE
ECO NO.	

DO NOT SCALE THIS DRAWING	
SIZE	REV
A	A
DWG. NO. 5061212B	
TITLE: FEMALE G.H. X FEMALE G.H. COUPLING	

LINE DRAWING NOT FOR PRODUCTION PURPOSES

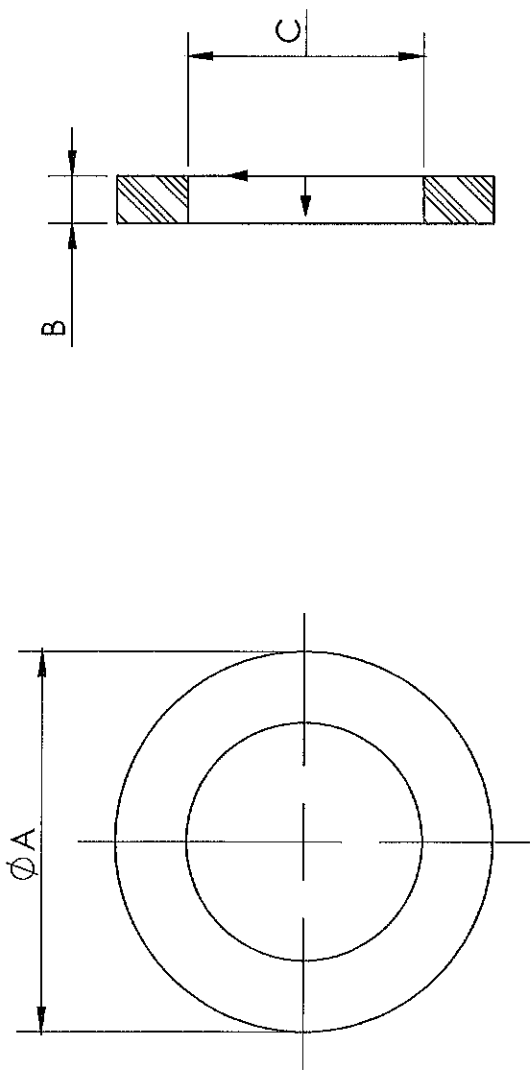


16 TPI MALE DIAMOND KRURL



THIS DRAWING CONTAINS INFORMATION DEEMED PROPRIETARY TO DIXON BRASS AND IS SO TO BE USED ONLY FOR THE PURPOSE FOR WHICH IT IS SUBMITTED, AND FURTHER, SHALL NOT BE COPIED IN WHOLE OR IN PART WITHOUT EXPRESS WRITTEN PERMISSION FIRST OBTAINED FROM DIXON BRASS.		DATE DRAWN P. MONAGHAN 1/11/16
UNLESS OTHERWISE SPECIFIED: DIMENSIONS ARE IN INCHES TOLERANCES: ANGLES: ±0°30' X (±.015) XX (±.010) XXX (±.005) DIMENSIONS PER ANSI Y14.5		APPROVED DATE
DIXON The Right Connection™ Dixon Brass Westmont, Illinois USA		ECO NO.
TITLE: GARDEN HOSE NUT		DRAWING NOT REPRODUCED TO SCALE
SIZE DWG. NO. A 5911212N		REV J

REV	COMMENTS	DATE
B	REDRAWN	5/31/19



PART NUMBER	A	B	C
5911212W	1.000 $\pm$ .010	.125 $\pm$ .005	.625 $\pm$ .010
5911616W	1.270 $\pm$ .020	.125 $\pm$ .005	.860 $\pm$ .010

MATERIAL  
BLACK SBR 80 DURO

PART NUMBER	A	B	C
5911212WEPDM	1.000 $\pm$ .010	.125 $\pm$ .005	.625 $\pm$ .010
5911616WEPDM	1.270 $\pm$ .020	.125 $\pm$ .005	.860 $\pm$ .010

MATERIAL  
BLACK PEROXIDE CURE  
EPDM NSF61,70 DURO WITH  
WHITE STRIPE

THIS DRAWING CONTAINS INFORMATION DEEMED PROPRIETARY TO DIXON BRASS AND IS SO TO BE USED ONLY FOR THE PURPOSE FOR WHICH IT IS SUBMITTED, AND FURTHER, SHALL NOT BE COPIED IN WHOLE OR IN PART WITHOUT EXPRESS WRITTEN PERMISSION FIRST OBTAINED FROM DIXON BRASS.

UNLESS OTHERWISE SPECIFIED:  
 DIMENSIONS ARE IN INCHES  
 TOLERANCES:  
 ANGLES:  $\pm 0^{\circ}30'$   
 .XX ( $\pm$ .010)  
 .XXX ( $\pm$ .010)  
 .XXX ( $\pm$ .005)  
 DIMENSIONS PER ANSI Y14.5

**Dixon Brass**  
Westmont, Illinois USA

**DIXON**  
The Right Connection<sup>SM</sup>

DRAWN: P. MONAGHAN  
 APPROVED: \_\_\_\_\_  
 DATE: 5/31/19

ECO NO. \_\_\_\_\_

DRAWING NOT REPRODUCED TO SCALE

TITLE: GARDEN HOSE WASHER

SIZE: A

DWG. NO.: 591 SERIES

REV: B