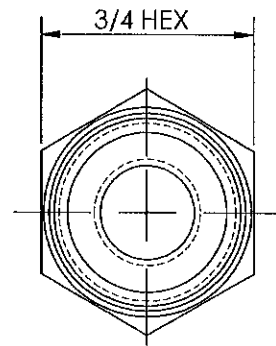
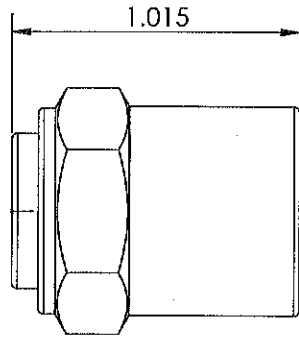
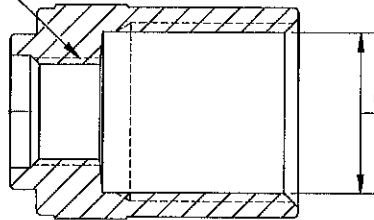


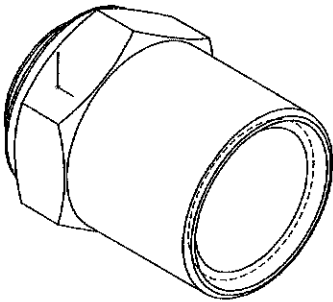
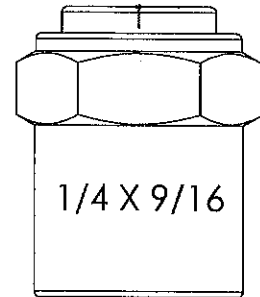
LINE DRAWING NOT FOR PRODUCTION PURPOSES




3/8 - 24 UNF-2B  
HOSE I.D. 1/4

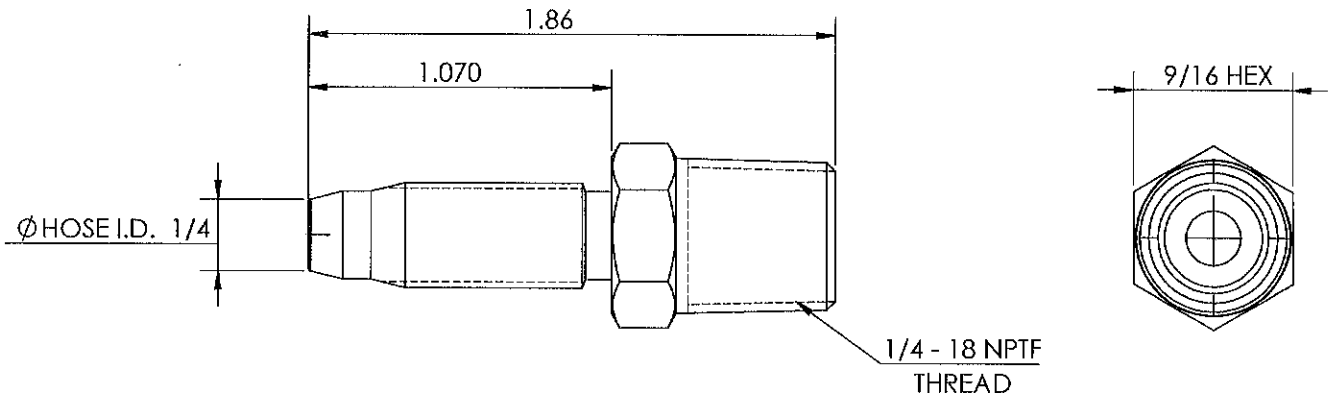


Ø HOSE O.D. 9/16

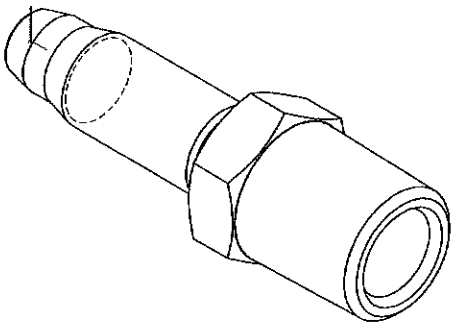
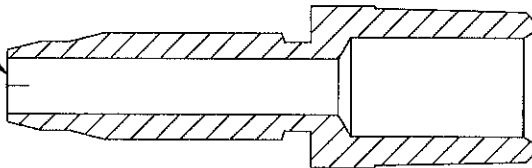



THIS DRAWING CONTAINS INFORMATION DEEMED PROPRIETARY TO DIXON BRASS AND IS SO TO BE USED ONLY FOR THE PURPOSE FOR WHICH IT IS SUBMITTED, AND FURTHER, SHALL NOT BE COPIED IN WHOLE OR IN PART WITHOUT EXPRESS WRITTEN PERMISSION FIRST OBTAINED FROM DIXON BRASS.			
UNLESS OTHERWISE SPECIFIED:			
DIMENSIONS ARE IN INCHES		 The Right Connector™	<b>Dixon Brass</b> Westmont, Illinois USA
TOLERANCES: ANGLES: ± 0°30' .X (±.015) .XX (±.010) .XXX (±.005)			
DIMENSIONS PER ANSI Y14.5		DRAWING NOT REPRODUCED TO SCALE	
TITLE: REUSABLE FERRULE		SIZE <b>A</b>	DWG. NO. 1800409F
			REV B

LINE DRAWING NOT FOR PRODUCTION PURPOSES



THRU HOLE DIA. .194



THIS DRAWING CONTAINS INFORMATION DEEMED PROPRIETARY TO DIXON BRASS AND IS TO BE USED ONLY FOR THE PURPOSE FOR WHICH IT IS SUBMITTED, AND FURTHER, SHALL NOT BE COPIED IN WHOLE OR IN PART WITHOUT EXPRESS WRITTEN PERMISSION FIRST OBTAINED FROM DIXON BRASS.			
UNLESS OTHERWISE SPECIFIED:		DRAWN P. MONAGHAN DATE 4/27/15	
DIMENSIONS ARE IN INCHES		APPROVED DATE	
TOLERANCES: ANGLES: $\pm 0^{\circ}30'$ X ( $\pm .010$ ) .XX ( $\pm .010$ ) .XXX ( $\pm .005$ )		ECO NO.	
DIMENSIONS PER ANSI Y14.5		DRAWING NOT REPRODUCED TO SCALE	
 <b>Dixon Brass</b> Westmont, Illinois USA		SIZE <b>A</b>	DWG. NO. 1820404S
TITLE: REUSABLE MALE STEM		REV E	