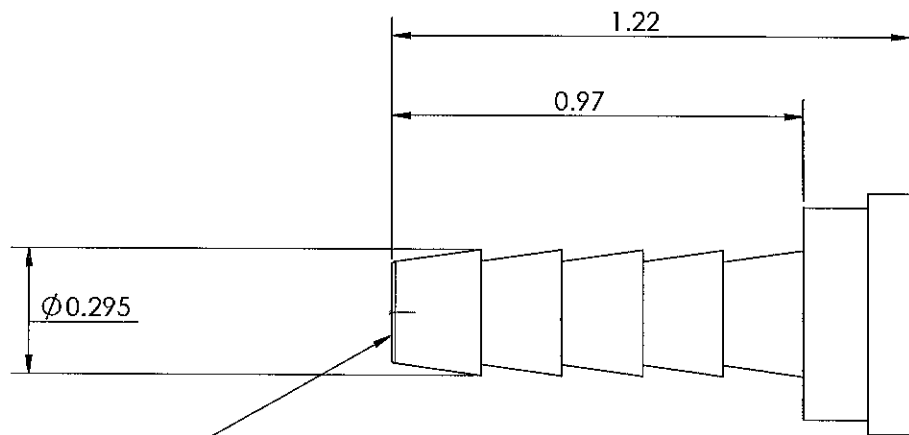
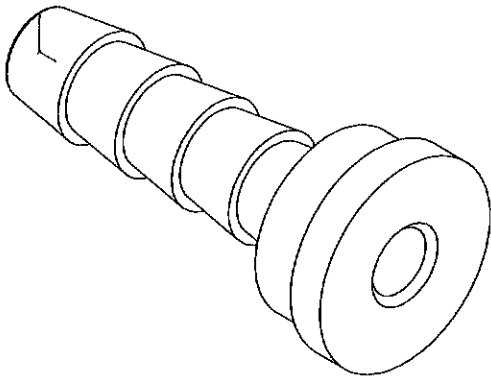



LINE DRAWING NOT FOR PRODUCTION PURPOSES

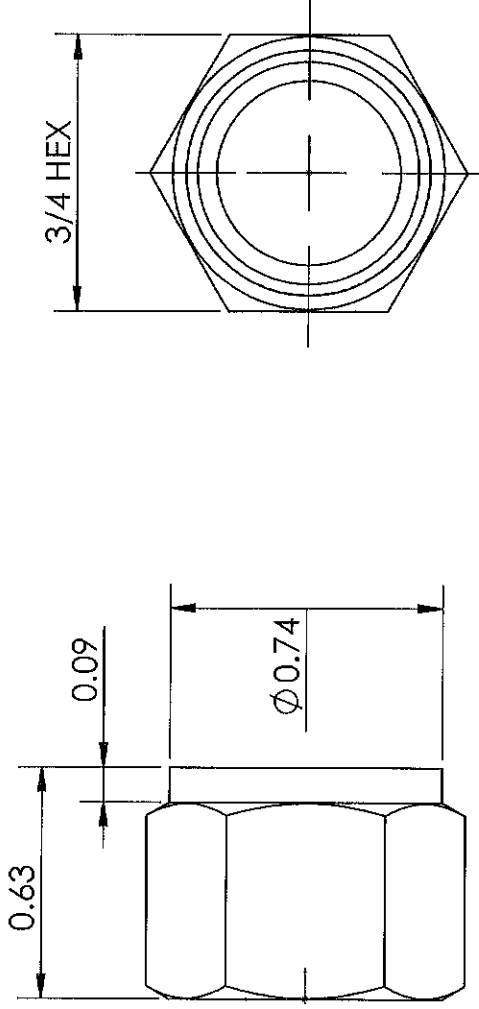


THRU HOLE DIA. .177

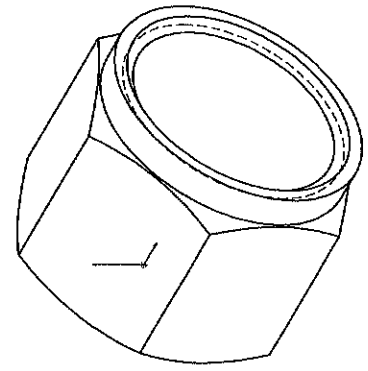
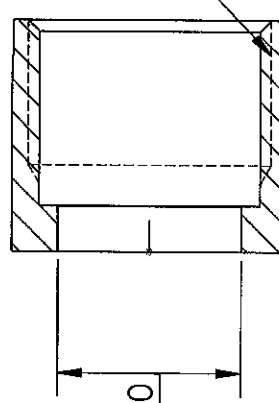


THIS DRAWING CONTAINS INFORMATION DEEMED PROPRIETARY TO DIXON BRASS AND IS SO TO BE USED ONLY FOR THE PURPOSE FOR WHICH IT IS SUBMITTED, AND FURTHER, SHALL NOT BE COPIED IN WHOLE OR IN PART WITHOUT EXPRESS WRITTEN PERMISSION FIRST OBTAINED FROM DIXON BRASS.				
UNLESS OTHERWISE SPECIFIED:		 <b>Dixon Brass</b> Westmont, Illinois USA	DRAWN P. MONAGHAN APPROVED	DATE 2/28/14 DATE
DIMENSIONS ARE IN INCHES TOLERANCES: ANGLES: +0°30' .X (±.015) .XX (±.010) .XXX (±.005) DIMENSIONS PER ANSI Y14.5			ECO NO.	
TITLE:		DRAWING NOT REPRODUCED TO SCALE		
1/4 SWIVEL STEM GASKET SEAT TYPE		SIZE <b>A</b>	DWG. NO. 1260406S	REV D

LINE DRAWING NOT FOR PRODUCTION PURPOSES



(THRU HOLE DIA.)  $\phi 0.50$



THIS DRAWING CONTAINS INFORMATION DEEMED PROPRIETARY TO DIXON BRASS AND IS SO TO BE USED ONLY FOR THE PURPOSE FOR WHICH IT IS SUBMITTED, AND FURTHER, SHALL NOT BE COPIED IN WHOLE OR IN PART WITHOUT EXPRESS WRITTEN PERMISSION FIRST OBTAINED FROM DIXON BRASS. UNLESS OTHERWISE SPECIFIED:

DIMENSIONS ARE IN INCHES  
 TOLERANCES:  
 ANGLES: ±0°-30'  
 .X (.015)  
 .XX (.010)  
 .XXX (.005)  
 DIMENSIONS PER ANSI Y14.5

**Dixon Brass**  
 Westmont, Illinois USA

**ECO NO.** \_\_\_\_\_

**DRAWN** P. MONAGHAN **DATE** 2/27/14

**APPROVED** \_\_\_\_\_ **DATE** \_\_\_\_\_

**TITLE:** FEMALE SWIVEL NUT  
 3/8 - 18 NPSM

**SIZE** A **DWG. NO.** 1240406N **REV** D

DRAWING NOT REPRODUCED TO SCALE