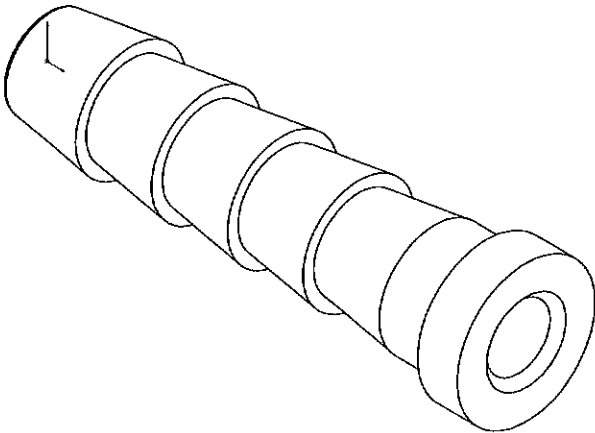
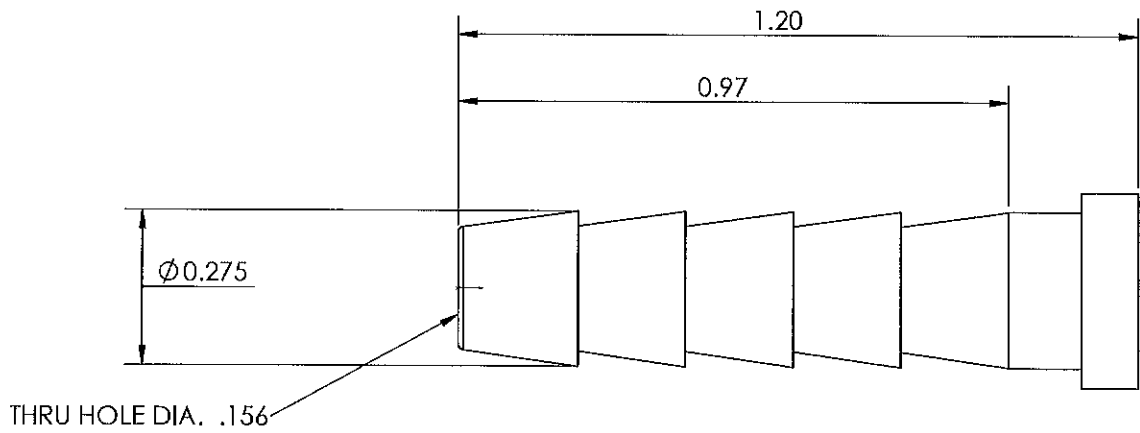
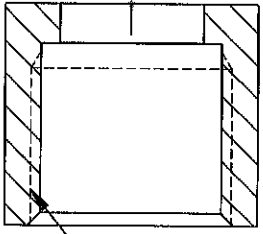
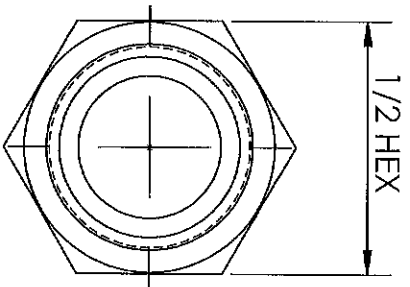
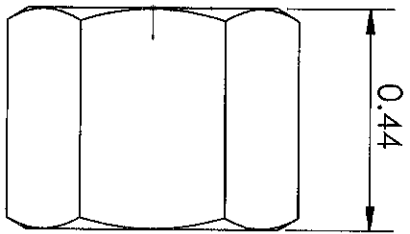


LINE DRAWING NOT FOR PRODUCTION PURPOSES

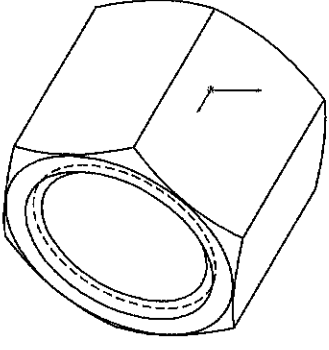


THIS DRAWING CONTAINS INFORMATION DEEMED PROPRIETARY TO DIXON BRASS AND IS SO TO BE USED ONLY FOR THE PURPOSE FOR WHICH IT IS SUBMITTED, AND FURTHER, SHALL NOT BE COPIED IN WHOLE OR IN PART WITHOUT EXPRESS WRITTEN PERMISSION FIRST OBTAINED FROM DIXON BRASS.			
UNLESS OTHERWISE SPECIFIED:		DRAWN P. MONAGHAN	
DIMENSIONS ARE IN INCHES		DATE 2/28/14	
TOLERANCES: ANGLES: ±0°30'		APPROVED	
.X (±.015)		DATE	
.XX (±.010)		ECO NO.	
.XXX (±.005)		DRAWING NOT REPRODUCED TO SCALE	
DIMENSIONS PER ANSI Y14.5		SIZE A	DWG. NO. 1260402S
TITLE: 1/4 SWIVEL STEM GASKET SEAT TYPE		REV D	

LINE DRAWING NOT FOR PRODUCTION PURPOSES



1/8 - 27 NPSM
THREAD



<p>THIS DRAWING CONTAINS INFORMATION DEEMED PROPRIETARY TO DIXON BRASS AND IS SO TO BE USED ONLY FOR THE PURPOSE FOR WHICH IT IS SUBMITTED AND FURTHER, SHALL NOT BE COPIED IN WHOLE OR IN PART WITHOUT EXPRESS WRITTEN PERMISSION FIRST OBTAINED FROM DIXON BRASS. UNLESS OTHERWISE SPECIFIED:</p>	
<p>DIMENSIONS ARE IN INCHES</p>	
<p>TOLERANCES: X (.015) XX (.010) XXX (.005)</p>	
<p>ANGLES: ±0°30'</p>	
<p>DIMENSIONS PER ANSI Y14.5</p>	
<p>DIXON The Right Connection[®]</p>	<p>Dixon Brass Westmont, Illinois USA</p>
<p>TITLE: FEMALE SWIVEL NUT 1/8 - 27 NPSM</p>	<p>DRAWN: P. MONAGHAN APPROVED: DATE: 2/27/14</p>
<p>SIZE: A</p>	<p>DWG. NO.: 1240202N</p>
<p>DRAWING NOT REPRODUCED TO SCALE</p>	
<p>REV: C</p>	